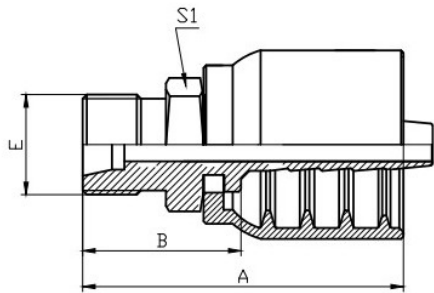


10411PK

METRIC MALE 24° CONE SEAT L.T.

PART NO.	E (THREAD E)	HOSE BORE (DN)	DIMENSIONS (A)	DIMENSIONS (B)	DIMENSIONS (S1)	HOSE BORE (DASH)
10411-14-04PK	M14X1.5	6	4	43	23.4	14
10411-16-06PK	M16X1.5	10	6	48.5	26.5	19
10411-18-06PK	M18X1.5	10	6	48.5	26.5	19
10411-22-08PK	M22X1.5	12	8	55	26.5	22
10411-26-10PK	M26X1.5	16	10	64.5	27.4	27
10411-26-12PK	M26X1.5	20	12	67	27.4	27
10411-30-12PK	M30X2	20	12	71	31.4	30
10411-36-16PK	M36X2	25	16	82	37	36

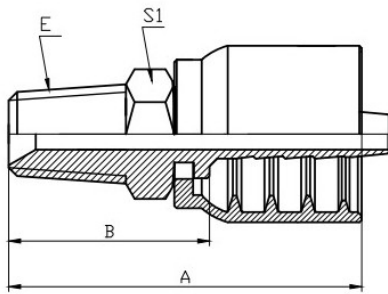


10511 PK

METRIC MALE 24° CONE SEAT H.T.

ISO 8434-1-DIN 3861

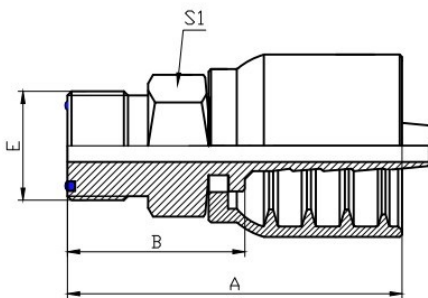
PART NO.	E (THREAD E)	HOSE BORE (DN)	HOSE BORE (DASH)	DIMENSIONS (A)	DIMENSIONS (B)	DIMENSIONS (S1)
10511-18-04PK	M18X1.5	6	4	46	26.4	19
10511-20-03PK	M20X1.5	5	3	45.5	26.9	22
10511-20-06PK	M20X1.5	10	6	50.5	28.5	22
10511-22-06PK	M22X1.5	10	6	54	32	22
10511-24-08PK	M24X1.5	12	8	60	31.5	24
10511-30-10PK	M30X2	16	10	72	34.9	30
10511-36-12PK	M36X2	20	12	78.5	38.9	36
10511-42-16PK	M42X2	25	16	87	42	46



13011 PK

BSPT MALE TAPERED

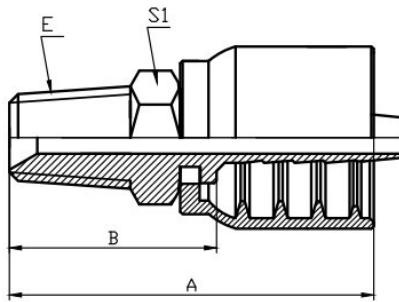
PART NO.	E (THREAD E)	HOSE BORE (DN)	HOSE BORE (DASH)	DIMENSIONS (A)	DIMENSIONS (B)	DIMENSIONS (S1)
13011-06-06PK	R3/8"X19	10	6	51	29	17
13011-08-08PK	R1/2"X14	12	8	62	33.5	22
13011-12-12PK	R3/4"X14	20	12	74.5	34.9	27



14211PK

ORFS MALE O-RING SEAL

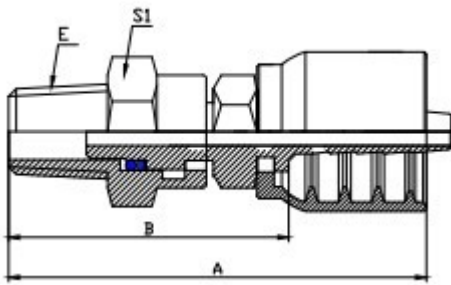
PART NO.	E (THREAD E)	HOSE BORE (DN)	HOSE BORE (DASH)	DIMENSIONS (A)	DIMENSIONS (B)	DIMENSIONS (S1)
14211-06-06PK	11/16"X16	10	6	48.5	26.5	19
14211-08-08PK	13/16"X16	12	8	57	28.5	22
14211-10-10PK	1"X14	16	10	69	31.9	27
14211-12-12PK	1-3/16"X12	20	12	74.5	34.9	32
14211-16-16PK	1-7/16"X12	25	16	83.5	38.5	38
14211-20-20PK	1-11/16"X12	32	20	91.8	44.8	46



15611PK

NPT MALE

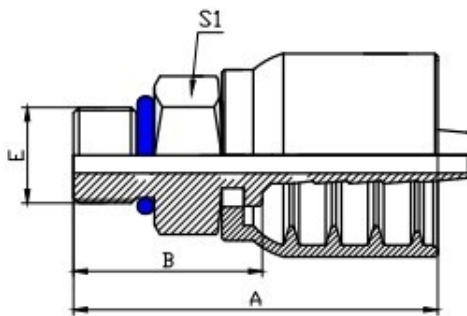
PART NO.	E (THREAD E)	HOSE BORE (DN)	HOSE BORE (DASH)	DIMENSIONS (A)	DIMENSION (B)	DIMENSIONS (S1)
15611-04-04PK	Z1/4"X18	6	4	48.5	28.9	14
15611-04-06PK	Z1/4"X18	10	6	52	30	17
15611-06-06PK	Z3/8"X18	10	6	53.5	31.5	19
15611-06-08PK	Z3/8"X18	12	8	59	30.5	19
15611-08-08PK	Z3/8"X18	6	4	53.5	33.9	22
15611-08-10PK	Z1/2"X14	10	6	57.5	35.5	22
15611-12-12PK	Z1/2"X14	12	8	63	34.5	22
15611-08-04PK	Z1/2"X14	16	10	71	33.9	22
15611-08-06PK	Z1/2"X14	20	12	73.5	33.9	27
15611-16-16PK	Z3/4"X14	25	16	90.5	45.5	36
15611-20-20PK	Z1"X11.5	32	20	95.8	48.8	45
15611-24-24PK	Z1-1/4"X11.5	40	24	91	52.6	50
15611-32-32PK	Z1-1/2"X11.5	50	32	103	55.8	64
15611-06-04PK	Z2"X11.5	6	4	49	29.4	19



15611SW-PK

NPT MALE SWIVEL

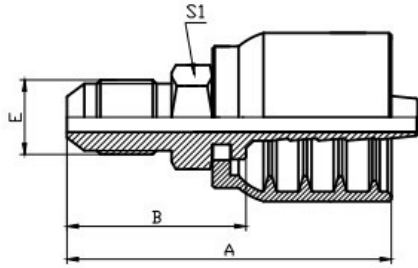
PART NO.	E (THREAD E)	HOSE BORE (DN)	HOSE BORE (DASH)	DIMENSIONS (A)	DIMENSIONS (B)	DIMENSIONS (S1)
15611SW-06-06PK	Z3/8"X18	10	6	68.3	46.3	19
15611SW-08-08PK	Z1/2"X14	12	8	76.5	48	22
15611SW-12-12PK	Z3/4"X14	20	12	96.5	56.9	27



16011PK

SAE O-RING BOSS SWIVEL MALE

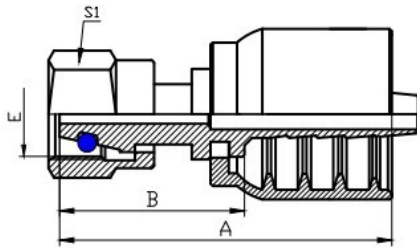
PART NO.	E (THREAD E)	HOSE BORE (DN)	HOSE BORE (DASH)	DIMENSIONS (A)	DIMENSIONS (B)	DIMENSIONS (S1)
16011-06-06PK	9/16"X18	10	6	47	25	17
16011-08-06PK	3/4"X16	10	6	48	26	22
16011-12-12PK	1-1/16"X12	20	12	72.5	32.9	32
16011-08-08PK	3/4"X16	12	8	55	26.5	22



16711PK

JIC MALE 74° CONE SEAL

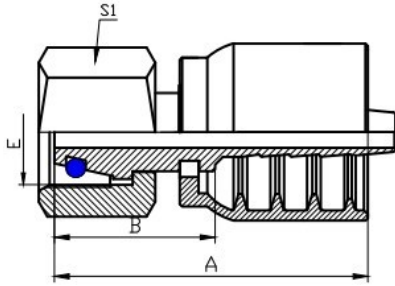
PART NO.	E (THREAD E)	HOSE BORE (DN)	HOSE BORE (DASH)	DIMENSIONS (A)	DIMENSIONS (B)	DIMENSIONS (S1)
16711-05-04PK	1/2"X20	6	4	45	25.4	14
16711-06-06PK	9/16"X18	10	6	52	30	19
16711-08-06PK	3/4"X16	10	6	54	32	22
16711-08-08PK	3/4"X16	12	8	59.5	31	22
16711-10-08PK	7/8"X14	12	8	63.5	35	24
16711-10-10PK	7/8"X14	16	10	71.5	34.4	24
16711-16-12PK	1.5/16"X12	20	12	80.5	40.9	35
16711-16-16PK	1.5/16"X12	25	16	88	43	35
16711-06-04PK	9/16"X18	6	4	48.5	28.9	19
16711-06-08PK	9/16"X18	12	8	57	28.5	22
16711-20-20PK	1.1/16"X12	20	12	78	38.4	27
16711-24-24PK	1.5/8"X12	32	20	93.8	46.8	46
16711-32-32PK	1.7/8"X12	40	24	93	54.6	50
16711-12-12PK	2.1/2"X12	50	32	110	62.8	65



20411PK

METRIC FEMALE 24° CONE O-RING L.T

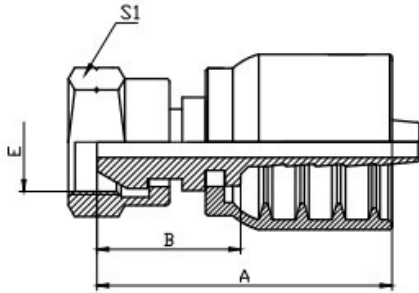
PART NO.	E (THREAD E)	HOSE BORE (DN)	HOSE BORE (DASH)	DIMENSIONS (A)	DIMENSIONS (B)	DIMENSIONS (S1)
20411-14-04TPK	M14X1.5	6	4	40.5	21.4	17
20411-18-06TPK	M18X1.5	10	6	47.5	26	22
20411-22-08TPK	M22X1.5	12	8	58	30	27
20411-26-10TPK	M26X1.5	16	10	72.5	35.9	32
20411-26-12PK	M26X1.5	20	12	73	33.4	32
20411-30-12PK	M30X2	20	12	76	36.4	36
20411-45-20PK	M45X2	32	20	89.8	42.8	55



20511PK

METRIC FEMALE 24° CONE O-RING H.T

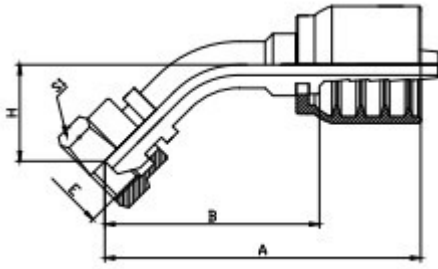
PART NO.	E (THREAD E)	HOSE BORE (DN)	HOSE BORE (DASH)	DIMENSIONS (A)	DIMENSIONS (B)	DIMENSIONS (S1)
20511-18-04TPK	M18X1.5	6	4	46.5	27.4	22
20511-18-06TPK	M18X1.5	10	6	49.5	28	22
20511-20-03TPK	M20X1.5	5	3	43	24.9	24
20511-20-06TPK	M20X1.5	10	6	51	29.5	24
20511-22-06TPK	M22X1.5	10	6	51.5	30	27
20511-24-08TPK	M24X1.5	12	8	57	29	30
20511-30-10TPK	M30X2	16	10	67.5	30.9	36



22611PK

BSP FEMALE 60° CONE SEAT

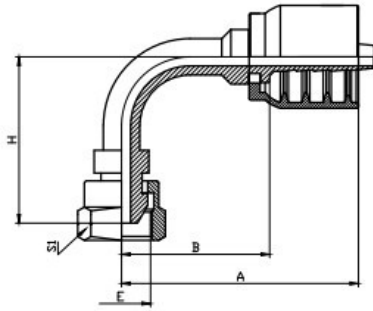
PART NO.	E (THREAD E)	HOSE BORE (DN)	HOSE BORE (DASH)	DIMENSIONS (A)	DIMENSIONS (B)	DIMENSIONS (S1)
22611-06-06PK	G3/8"X19	10	6	44	22	22
22611-08-08PK	G1/2"X14	12	8	50.5	22	27
22611-10-10PK	G5/8"X14	16	10	60	22.9	30
22611-12-12PK	G3/4"X14	20	12	62	22.4	32
22611-16-16PK	G1"X11	25	16	71.5	26.5	41
22611-20-20PK	G1-1/4"X11	32	20	77.5	30.5	50
22611-24-24PK	G1-1/2"X11	40	24	72	33.6	55
22611-32-32PK	G2"X11	50	32	85	37.8	70



22641PK

45° BSP FEMALE 60° CONE SEAT

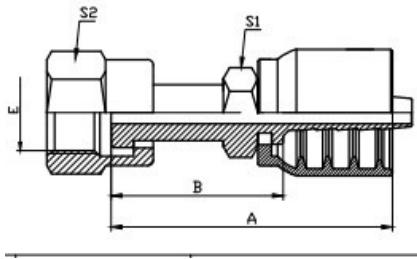
PART NO.	E (THREAD E)	HOSE BORE (DN)	HOSE BORE (DASH)	DIMENSIONS (A)	DIMENSIONS (B)	DIMENSIONS (S1)
22641-06-06PK	G3/8"X19	10	6	72.5	50.5	24
22641-08-08PK	G1/2"X14	12	8	93	64.5	27
22641-10-10PK	G5/8"X14	16	10	111	73.9	29
22641-12-12PK	G3/4"X14	20	12	120.5	80.9	33
22641-16-16PK	G1"X11	25	16	135.5	90.5	35
22641-20-20PK	G1-1/4"X11	32	20	150.8	103.8	41
22641-24-24PK	G1-1/2"X11	40	24	160	121.6	46



22691PK

90° BSP FEMALE 60° CONE SEAT

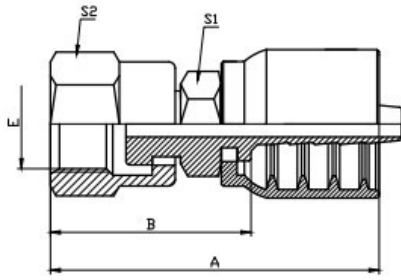
PART NO.	E (THREAD E)	HOSE BORE (DN)	HOSE BORE (DASH)	DIMENSIONS (A)	DIMENSIONS (B)	DIMENSIONS (S1)
22691-06-06PK	G1/4"X19	10	6	61	39	45
22691-08-08PK	G3/8"X19	12	8	72.5	44	54
22691-10-10PK	G1/2"X14	16	10	93	55.9	57
22691-12-12PK	G5/8"X14	20	12	103.5	63.9	67.5
22691-16-16PK	G3/4"X14	25	16	122	77	75.5
22691-20-20PK	G1"X11	32	20	138.3	91.3	88
22691-24-24PK	G1-1/4"X11	40	24	148.5	110.1	103.5
22691-04-06PK	G1-1/2"X11	10	6	61	39	45
22691-32-32PK	G2"X11	50	32	180	132.8	126.5



24211PK

ORFS FEMALE FLAT SEAL

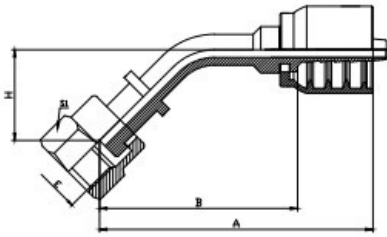
PART NO.	E (THREAD E)	HOSE BORE (DN)	HOSE BORE (DASH)	DIMENSIONS (A)	DIMENSIONS (B)	DIMENSIONS (S1)
24211-06-06PK	11/16"X16	10	6	52	30	17
24211-08-08PK	13/16"X16	12	8	63	34.5	22
24211-10-10PK	1"X14	16	10	77.5	40.4	24
24211-12-12PK	1-3/16"X12	20	12	85	45.4	30
24211-16-16PK	1-7/16"X12	25	16	95.5	50.5	35
24211-20-20PK	1-11/16"X12	32	20	99.8	52.8	46
24211-08-06PK	13/16"X16	10	6	57.5	35.5	19
24211-24-24PK	2"X12	40	24	95	56.6	50



24211-SPK

ORFS FEMALE FLAT SEAL

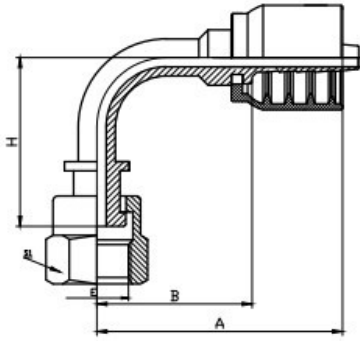
PART NO.	E (THREAD E)	HOSE BORE (DN)	HOSE BORE (DASH)	DIMENSIONS (A)	DIMENSIONS (B)	DIMENSIONS (S1)
24211-06-04SPK	11/16"X16	10	4	42.5	22.9	17
24211-06-06SPK	13/16"X16	12	8	52	23.5	22
24211-08-0S6PK	1"X14	16	8	53	24.5	24
24211-08-08SPK	13/16"X16	12	6	46.5	24.5	19
24211-10-08SPK	11/16"X16	10	6	46.5	24.5	17
24211-10-10SPK	1"X14	16	10	63	25.9	24



24241PK

45° ORFS FEMALE FLAT SEAL

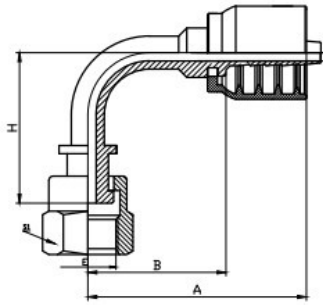
PART NO.	E (THREAD E)	HOSE BORE (DN)	HOSE BORE (DASH)	DIMENSIONS (A)	DIMENSIONS (B)	DIMENSIONS (S1)
24211-06-04PK	11/16"X16	10	4	42.5	22.9	17
24211-06-06PK	13/16"X16	12	8	52	23.5	22
24211-08-06PK	1"X14	16	8	53	24.5	24
24211-08-08PK	13/16"X16	12	6	46.5	24.5	19
24211-10-08PK	11/16"X16	10	6	46.5	24.5	17
24211-10-10PK	1"X14	16	10	63	25.9	24



24241PK

45° ORFS FEMALE FLAT SEAL

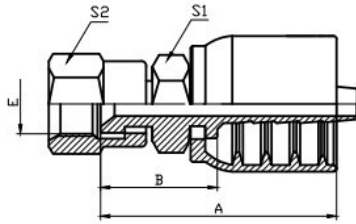
PART NO.	E (THREAD E)	HOSE BORE (DN)	HOSE BORE (DASH)	DIMENSIONS (A)	DIMENSIONS (B)	DIMENSIONS (S1)
24291-06-06PK	11/16"X16	10	6	61	39	46
24291-08-08PK	13/16"X16	12	8	72.5	44	56
24291-10-10PK	1"X14	16	10	94	56.9	68
24291-12-12PK	1-3/16"X12	20	12	106	66.4	81
24291-16-16PK	1-7/16"X12	25	16	123.5	78.5	89.5



24291PK

45° ORFS FEMALE FLAT SEAL

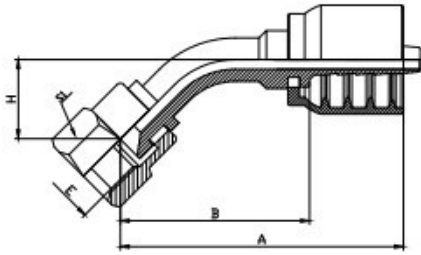
PART NO.	E (THREAD E)	HOSE BORE (DN)	HOSE BORE (DASH)	DIMENSIONS (A)	DIMENSIONS (B)	DIMENSIONS (S1)
24291-06-06PK	11/16"X16	10	6	61	39	46
24291-08-08PK	13/16"X16	12	8	72.5	44	56
24291-10-10PK	1"X14	16	10	94	56.9	68
24291-12-12PK	1-3/16"X12	20	12	106	66.4	81
24291-16-16PK	1-7/16"X12	25	16	123.5	78.5	89.5



26711PK

JIC FEMALE 74° CONE SEAT

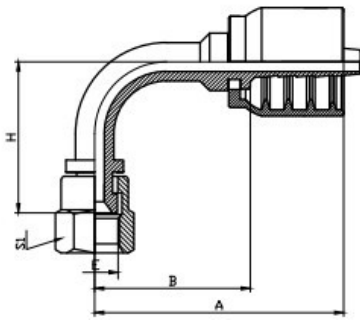
PART NO.	E (THREAD E)	HOSE BORE (DN)	HOSE BORE (DASH)	DIME NSIONS (A)	DIME NSIONS (B)	DIMEN SIONS (S2)	DIMEN SIONS (S1)
26711-05-04PK	1/2"X20	6	4	40.5	20.9	14	17
26711-06-06PK	9/16"X18	10	6	45.5	23.5	17	19
26711-08-06PK	3/4"X16	10	6	46.5	24.5	19	24
26711-08-08PK	3/4"X16	12	8	52.5	24	22	24
26711-10-08PK	7/8"X14	12	8	55	26.5	22	27
26711-10-10PK	7/8"X14	16	10	63	25.9	24	27
26711-12-12PK	1.1/16"X12	20	12	66	26.4	27	32
26711-16-16PK	1.5/16"X12	25	16	76	31	35	38
26711-04-03PK	7/16"X20	5	3	38	19.4	14	14
26711-05-05PK	1/2"X20	8	5	45.5	21	17	17
26711-06-04PK	9/16"X18	6	4	41.5	21.9	14	19
26711-06-05PK	9/16"X18	8	5	46	22.5	17	19
26711-06-08PK	9/16"X18	12	8	51.5	23	22	19
26711-12-08PK	1.1/16"X12	12	8	55.5	27	27	32
26711-12-10PK	1.1/16"X12	16	10	63.5	26.4	27	32
26711-20-20PK	1.5/8"X12	32	20	84.3	37.3	47	50
26711-24-24PK	1.7/8"X12	40	24	79	40.6	54	60
26711-32-32PK	2.1/2"X12	50	32	95.5	48.3	64	73



26741PK

45° JIC FEMALE 74° CONE SEAT

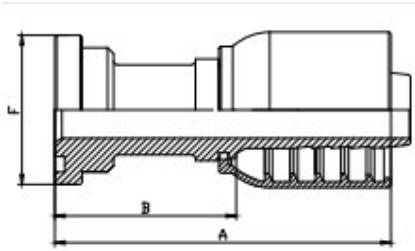
PART NO.	E (THREAD E)	HOSE BORE (DN)	HOSE BORE (DASH)	DIMENSIONS (A)	DIMENSI ONS (B)	DIMENSIO NS (H)	DIME NSIONS (S1)
26741-06-06PK	9/16"X18	10	6	70	48	20	19
26741-08-06PK	3/4"X16	10	6	70	48	21	24
26741-08-08PK	3/4"X16	12	8	88	59.5	23.5	24
26741-10-10PK	7/8"X14	16	10	108	70.9	25	27
26741-12-12PK	1.1/16"X12	20	12	118	78.4	30	32
26741-16-16PK	1.5/16"X12	25	16	132.5	87.5	31.5	38
26741-20-20PK	1.5/8"X12	32	20	145.8	98.8	37	50
26741-24-24PK	1.7/8"X12	40	24	155	116.6	43	60
26741-32-32PK	2.1/2"X12	50	32	184.5	137.3	51	73



26791PK

90° JIC FEMALE 74° CONE SEAT

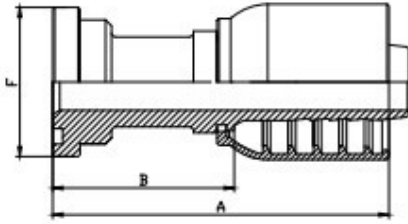
PART NO.	E (THREAD E)	HOSE BORE (DN)	HOSE BORE (DASH)	DIMENS IONS (A)	DIMENS IONS (B)	DIMENSI ONS (H)	DIMENSI ONS (S1)
26791-06-06PK	9/16"X18	10	6	61	39	39	19
26791-08-06PK	3/4"X16	10	6	61	39	40	24
26791-08-08PK	3/4"X16	12	8	72.5	44	47	24
26791-10-10PK	7/8"X14	16	10	93	55.9	52.5	27
26791-12-12PK	1.1/16"X12	20	12	103.5	63.9	63	32
26791-16-16PK	1.5/16"X12	25	16	122	77	70	38
26791-20-20PK	1.5/8"X12	32	20	137.8	90.8	84.5	50
26791-24-24PK	1.7/8"X12	40	24	148	109.6	101.5	60
26791-32-32PK	2.1/2"X12	50	32	178	130.8	122.5	73
26791-06-04PK	9/16"X18	6	4	52.5	32.9	33	19
26791-10-08PK	7/8"X14	12	8	72.5	44	48	27



87311PK

SAE FLANGE 3000PSI

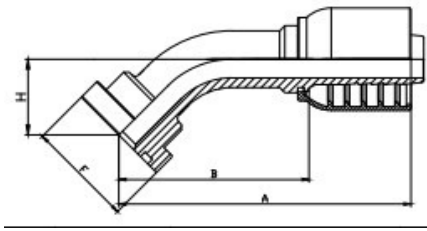
PART NO.	E (THREAD E)	HOSE BORE (DN)	HOSE BORE (DASH)	DIMENSIONS (A)	DIMENSIONS (B)	DIMENSIONS (F)
87311-10-10PK	5/8"	16	10	82	44.9	34.2
87311-12-12PK	3/4"	20	12	86	46.4	38.1
87311-16-12PK	1"	20	12	88	48.4	44.4
87311-16-16PK	1"	25	16	94.5	49.5	44.4
87311-20-20PK	1-1/4"	32	20	104.8	57.8	50.8
87311-24-24PK	1-1/2"	40	24	109	70.6	60.3



87611PK

SAE FLANGE 6000PSI

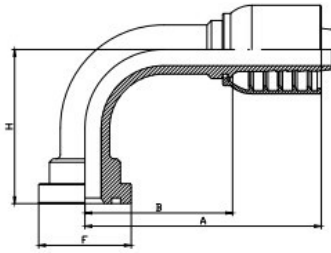
PART NO.	E (THREAD E)	HOSE BORE (DN)	HOSE BORE (DASH)	DIMENSIONS (A)	DIMENSIONS (B)	DIMENSIONS (F)
87611-12-12PK	3/4"	20	12	96	56.4	41.3
87611-16-16PK	1"	25	16	109.5	64.5	47.6
87611-20-20PK	1-1/4"	32	20	129.8	82.8	54
87611-24-24PK	1-1/2"	40	24	114	75.6	63.5
87611-32-32PK	2"	50	32	133	85.8	79.4



87641PK

45° SAE FLANGE 6000PSI

PART NO.	E (THREAD E)	HOSE BORE (DN)	HOSE BORE (DASH)	DIMENSIONS (A)	DIMENSION S (B)	DIMENSI ONS (H)	DIMENSIO NS (F)
87641-12-12PK	3/4"	20	12	119	79.4	31.8	41.3
87641-16-16PK	1"	25	16	135.5	90.5	34.7	47.6
87641-20-20PK	1-1/4"	32	20	153.8	106.8	41.5	54
87641-24-24PK	1-1/2"	40	24	163	124.6	46	63.5



87691PK

90° SAE FLANGE 6000PSI

PART NO.	E (THREAD E)	HOSE BORE (DN)	HOSE BORE (DASH)	DIMENSIO NS (A)	DIMENSIO NS (B)	DIMENSION S (H)	DIMENSION S (F)
87691-12-12PK	3/4"	20	12	106	66.4	66	41.3
87691-16-16PK	1"	25	16	123.5	78.5	74.5	47.6
87691-20-20PK	1-1/4"	32	20	141.3	94.3	89.5	54
87691-24-24PK	1-1/2"	40	24	153	114.6	108	63.5